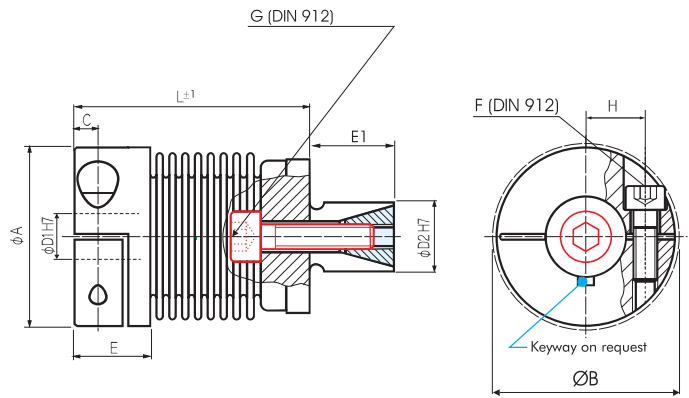


### Miniature Metal Bellows Coupling



**Order Code: KB 3 / 45 - 52 - 10 - S**

Type / Size      Length L      Ø D1      Options  
(H7)

	Torque T <sub>KN</sub> (Nm)	Dimensions (mm)										Technical Ratings							
		L	Ø A	D1	D2	Ø B	H	C	E	E1	F/G	Mass (g)	Moment of Inertia J (g cm <sup>2</sup> )	Spring Stiffness			Misalignment		
		Length (±1)	Outer Ø	Bore Sizes (H7) min - max	Bore Size (H7)	Max. Ø					Screw (DIN 912) T <sub>A</sub> (Nm)			torsional C <sub>T</sub> (Nm/rad)	radial C <sub>R</sub> (N/mm)	axial C <sub>A</sub> (N/mm)	radial ΔK <sub>r</sub> (mm)	axial ΔK <sub>a</sub> (mm)	angular ΔK <sub>w</sub> (°)
KB3/5	0.5	20	15.5	3-7	8	17,5	5.2	2.5	8	8	M2/M3	12.8	2.9	260	43	13	0.1	0.2	1
		0.3/1									13.2	3.1	200	18	10	0.15	0.3	1.5	
											13.5	3.2	160	9	8	0.2	0.4	2	
KB3/10	1	22	15.5	3-7	8	17,5	5.2	2.5	8	8	M2/M3	14.1	3.3	510	74	27	0.1	0.2	1
		0.3/1									14.6	3.4	380	31	20	0.15	0.3	1.5	
											15.3	3.6	310	16	16	0.2	0.4	2	
KB3/15	1.5	25	20	3-10	10	21	7	3	9	12	M2.5/M4	27.2	11	750	59	15	0.1	0.3	1.5
		0.8/3									29.3	12	700	20	9	0.15	0.4	2	
KB3/20	2	28	25	3-12.7	10	27	9	3.5	11	12	M3/M4	40.1	25	1500	67	12	0.15	0.3	1.5
		1/3									43.2	29	1300	21	11	0.2	0.4	1.5	
											49.1	30	1050	11	9	0.25	0.5	2	
KB3/45	4.5	36	32.5	6-16	14	34	12	5	14	16	M4/M5	86.5	98	6500	168	32	0.1	0.3	1.5
		3/5.9									92.9	110	4200	41	20	0.2	0.5	2	
KB3/100	10	41	40.5	6-22	16	41,5	15.5	5	14	20	M4/M6	135	235	8100	120	27	0.15	0.4	1.5
		3/10									154	292	6800	29	17	0.3	0.6	2	

- ⊙ Speed: max. 15000 min<sup>-1</sup>
- ⊙ Hub: Bore Tolerance: H7      Keyway acc. DIN 6885 optional
- ⊙ Material: Bellows - Stainless Steel  
Hub - Aluminium (also available in Stainless Steel)
- ⊙ Temperature Range: -30° ~ 120° C